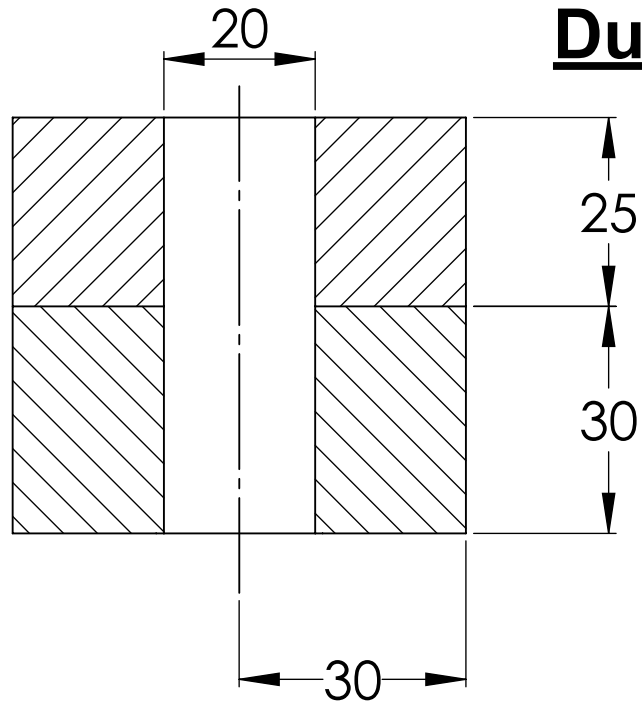
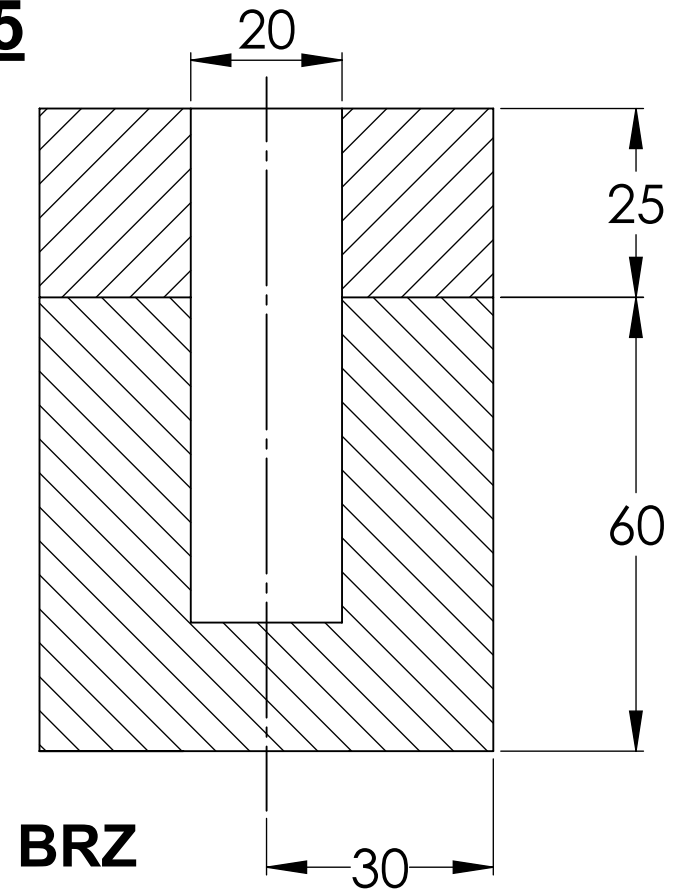


Bolts Drawing Assignment

Due Date 12/11/2015



(a)



(b)

In a 35x25 cm sheet, Draw the Elev. for:

1. M20 Through bolt to attach the two bodies shown in (a).
2. M20 Stud and Tap bolts to attach the two bodies shown in (b)