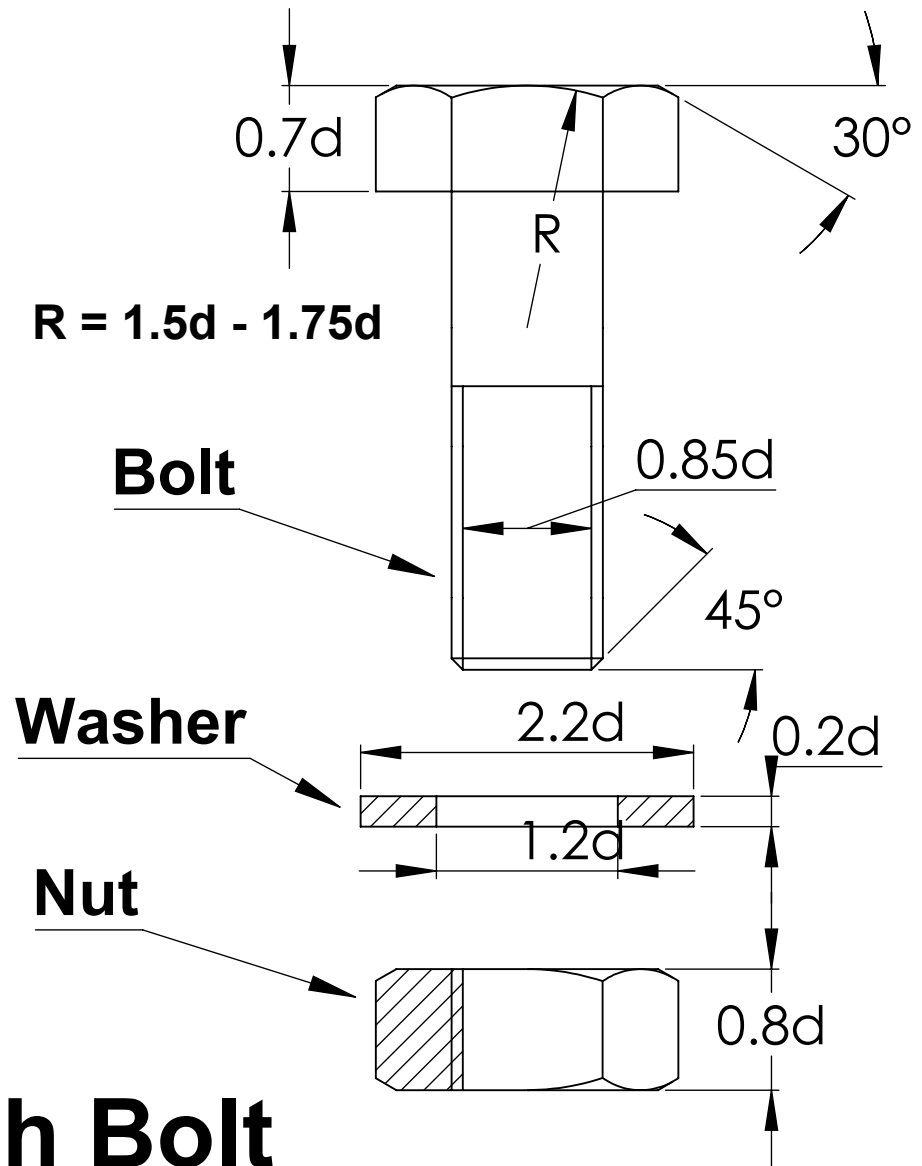
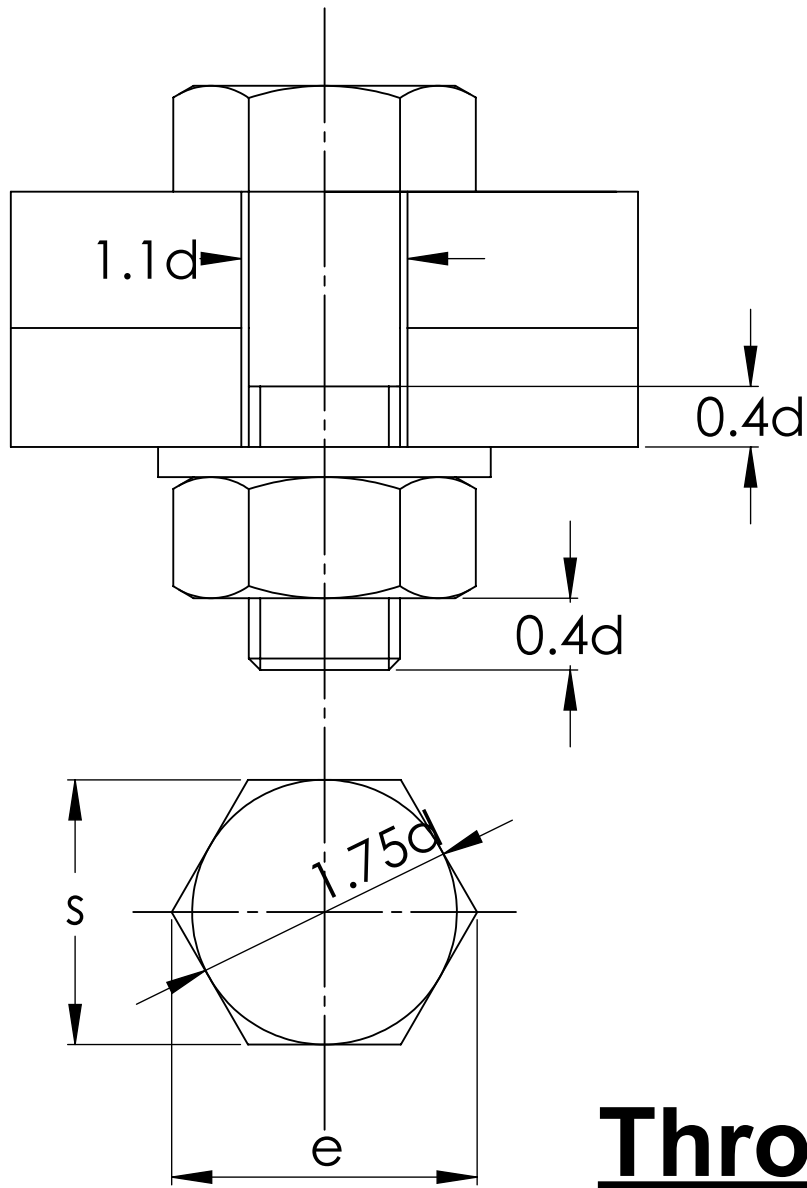
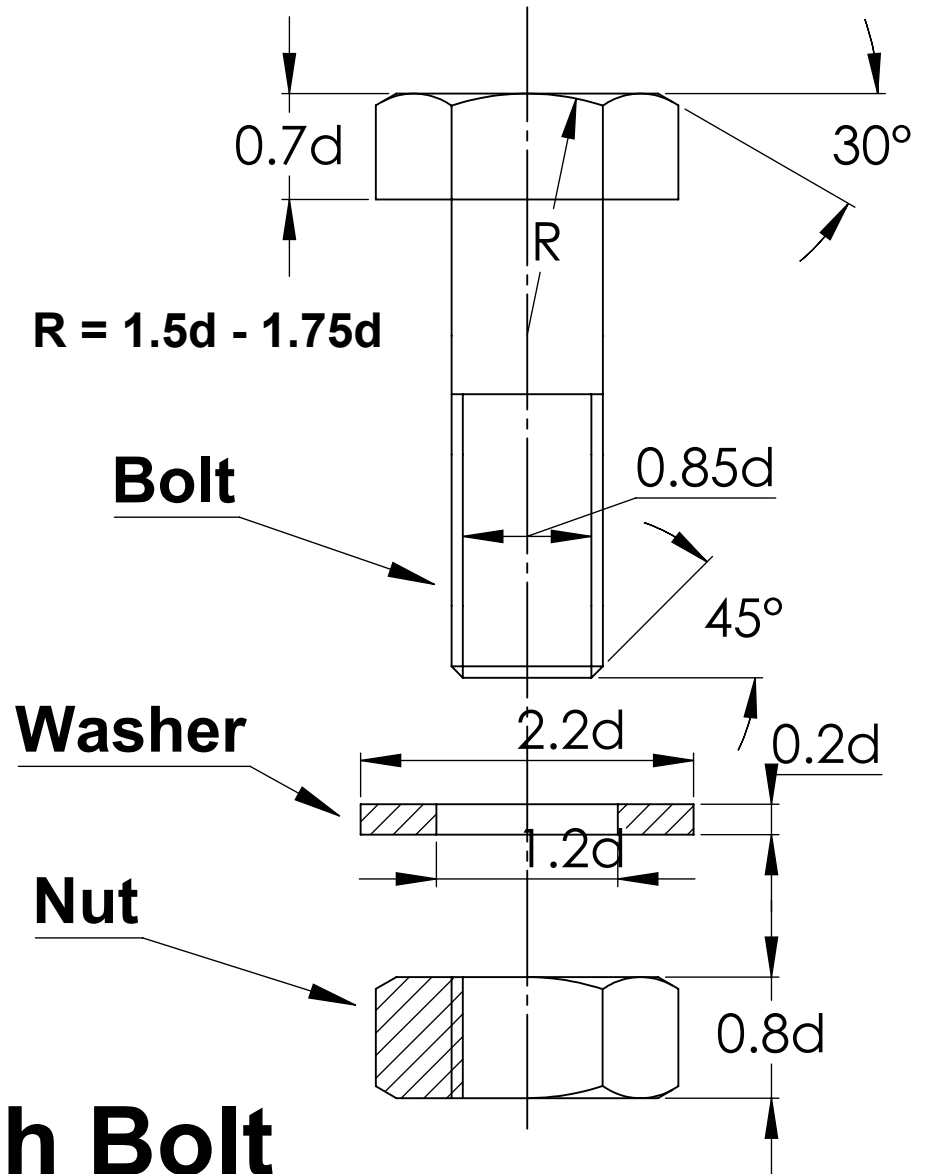
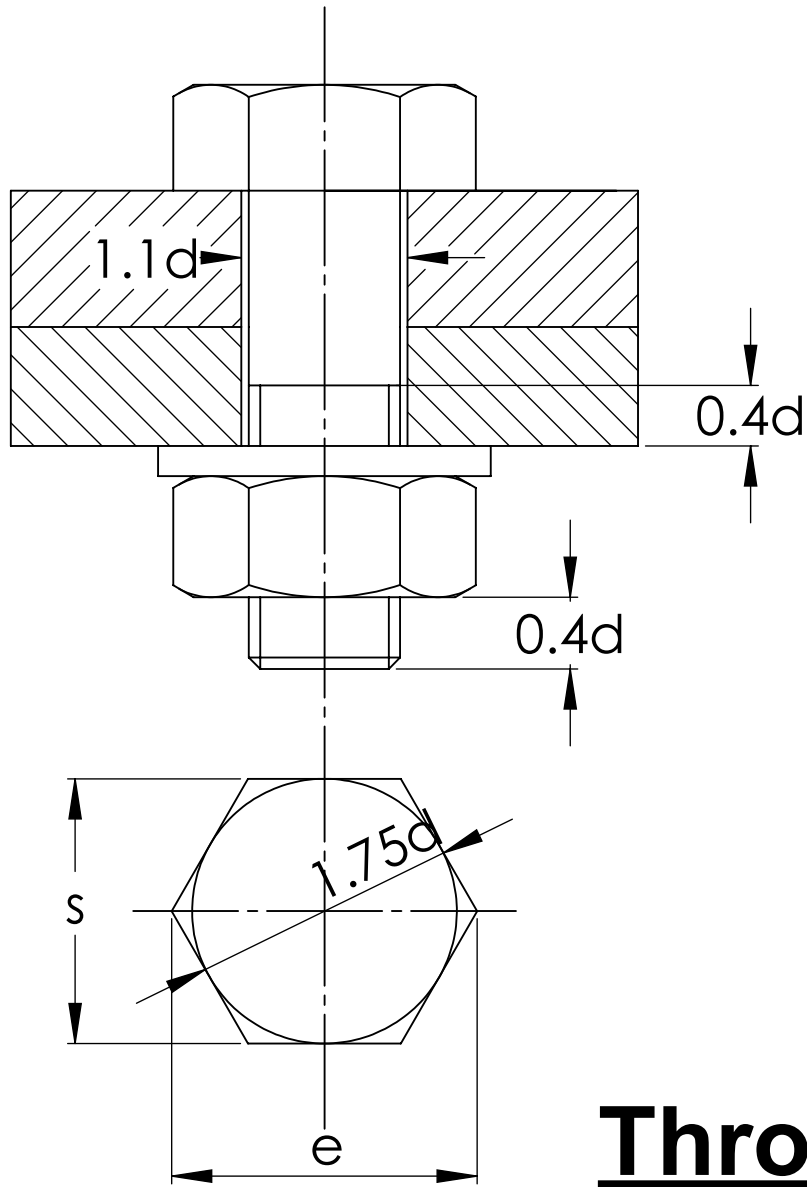


Fasteners Bolts



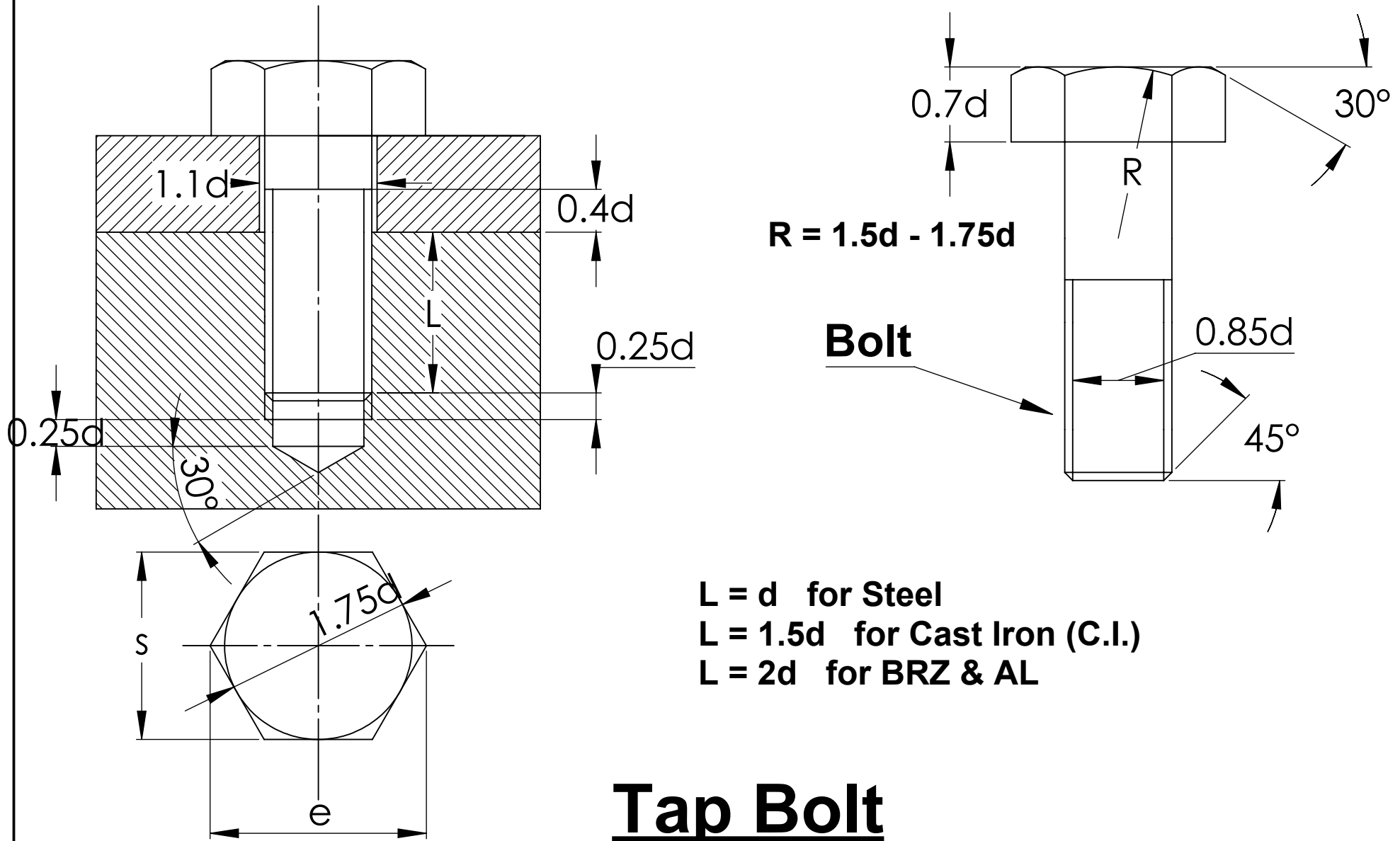
Through Bolt

Fasteners Bolts



Through Bolt

Fasteners Bolts



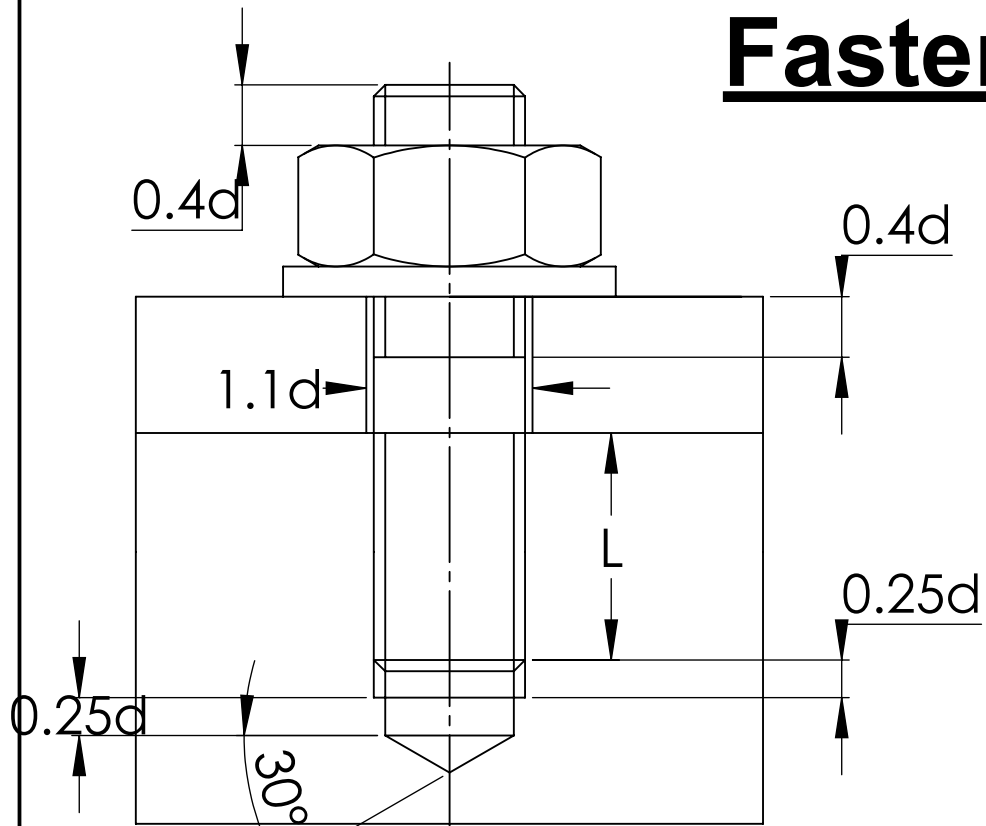
$R = 1.5d - 1.75d$

Bolt

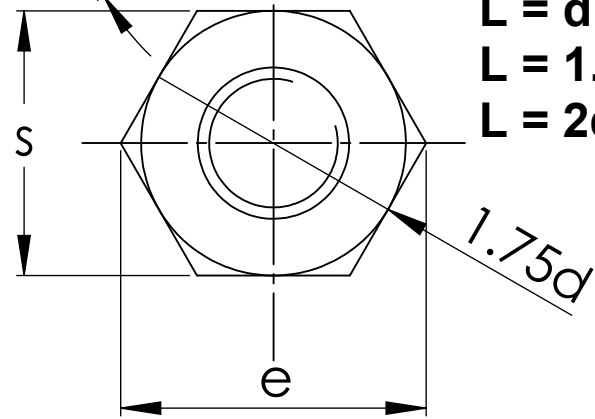
- $L = d$ for Steel
- $L = 1.5d$ for Cast Iron (C.I.)
- $L = 2d$ for BRZ & AL

Tap Bolt

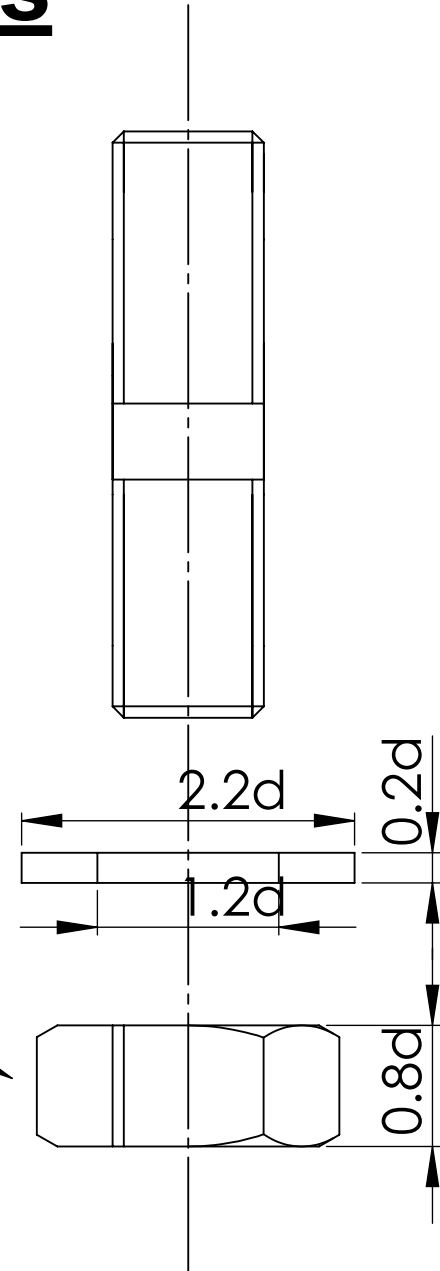
Fasteners Bolts



$L = d$ for Steel
 $L = 1.5d$ for Cast Iron (C.I.)
 $L = 2d$ for BRZ & AL

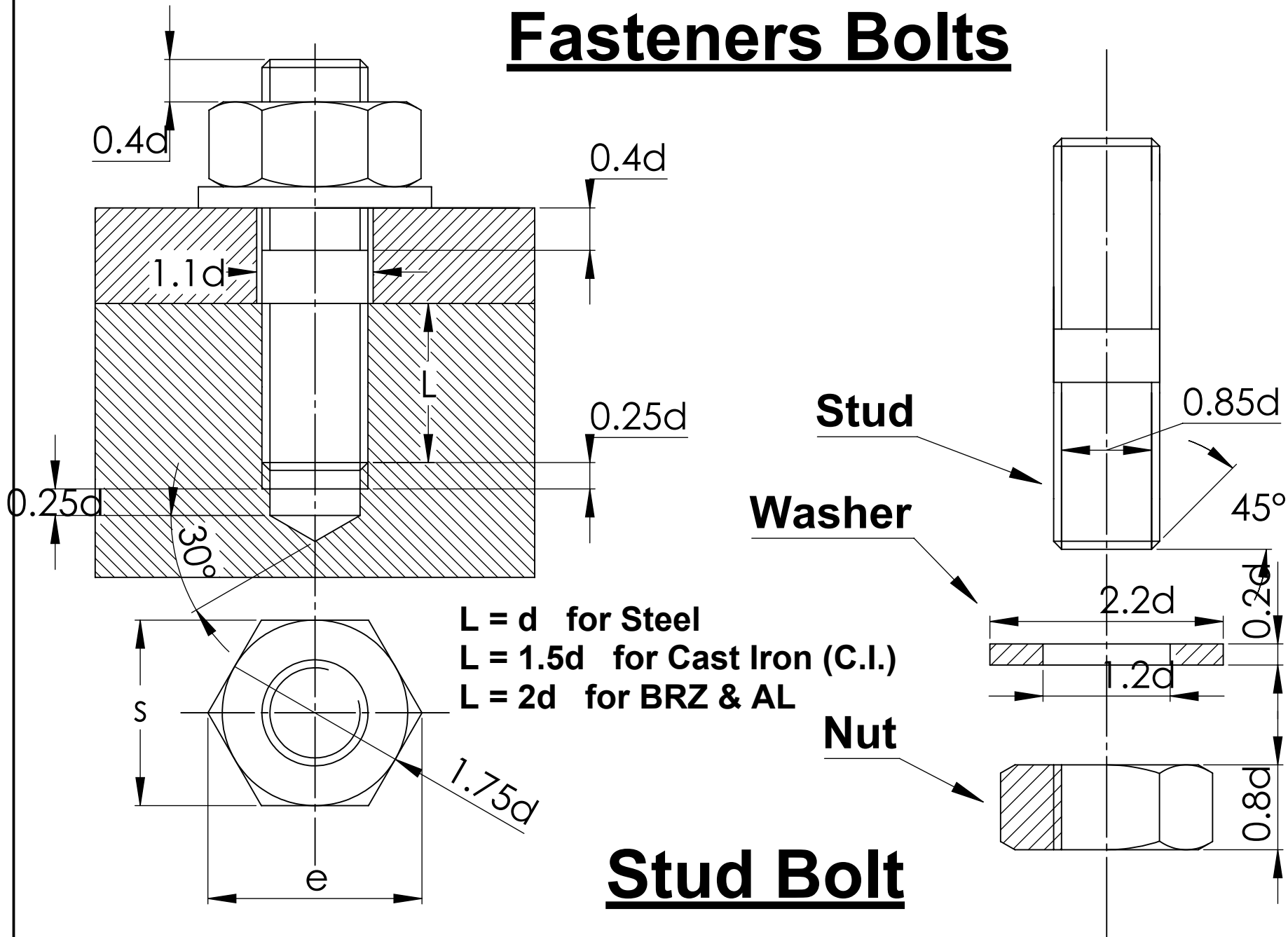


Nut

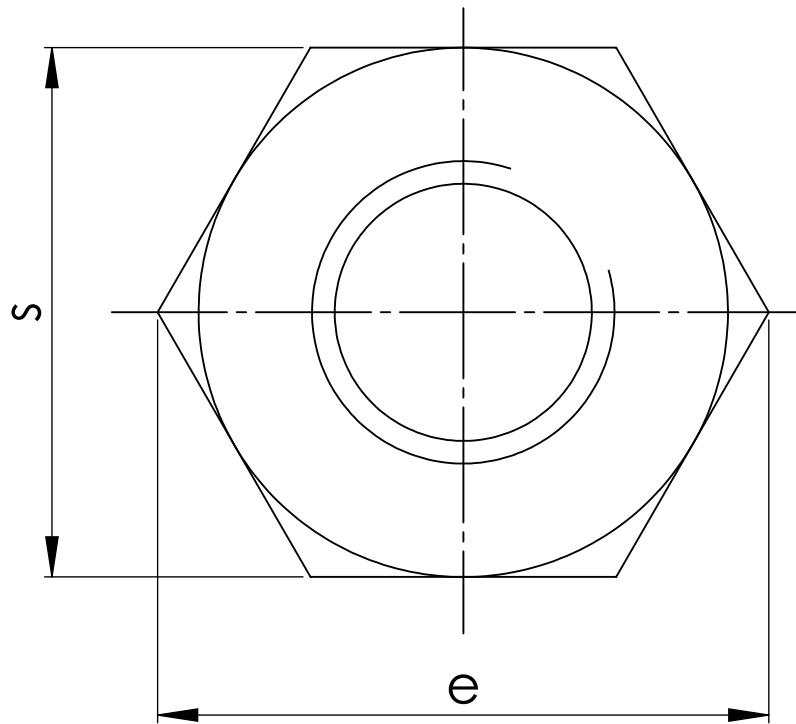
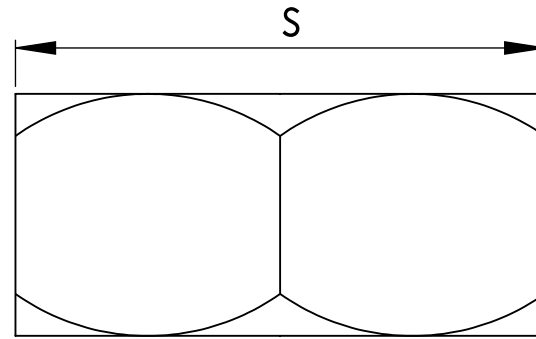
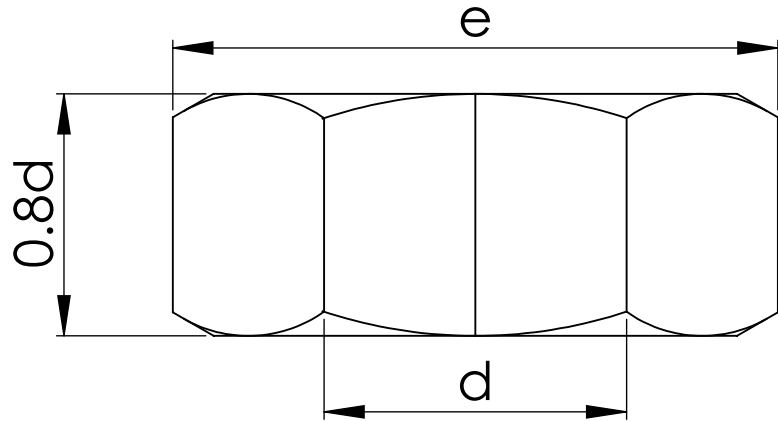


Stud Bolt

Fasteners Bolts



Fasteners Bolts



$$s = 1.75 d$$
$$e = 2 d$$

NUT