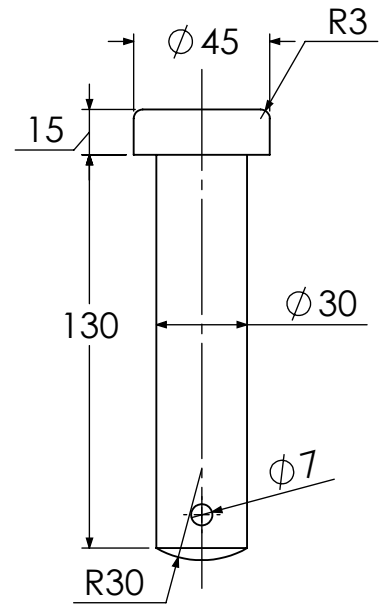
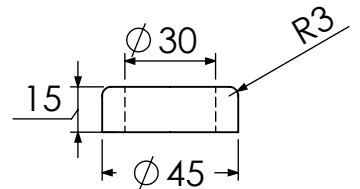


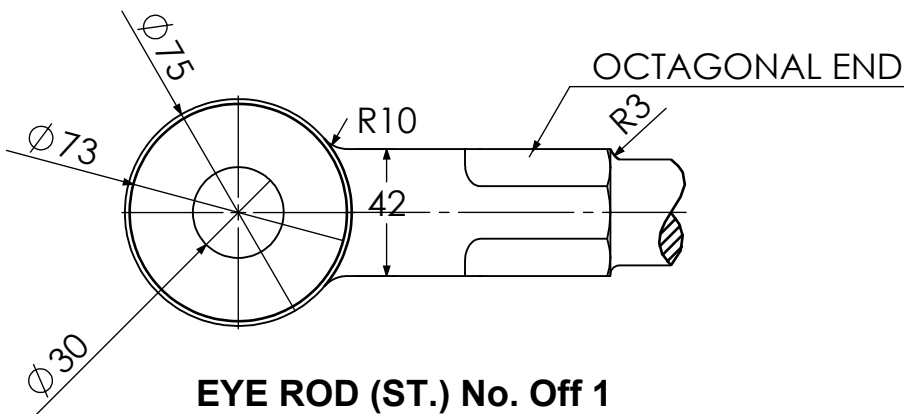
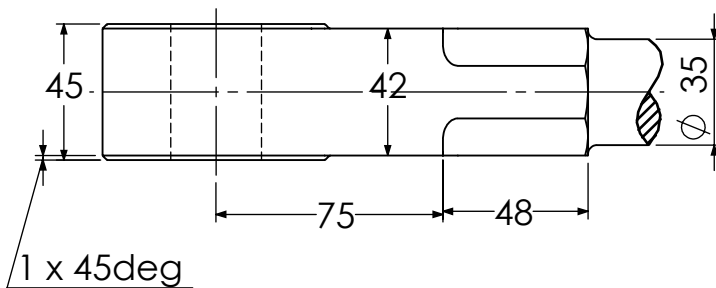
FORK (ST.) No. Off 1



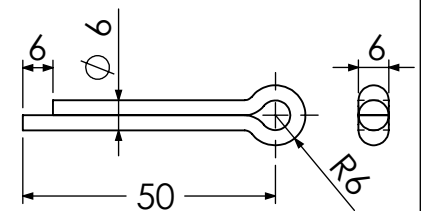
PIN (ST.) No. Off 1



WASHER (ST.) No. Off 1



EYE ROD (ST.) No. Off 1



SPLIT PIN (ST.) No. Off 1

You are given the details of a Knuckle Joint. Assemble All Parts and draw the following:

a. Sec. ELEV. b. PLAN

Dimensions are in mm and all unspecified radius are 2 mm.