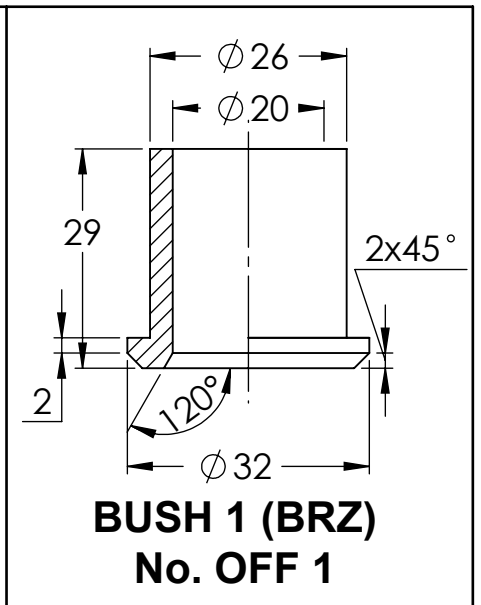
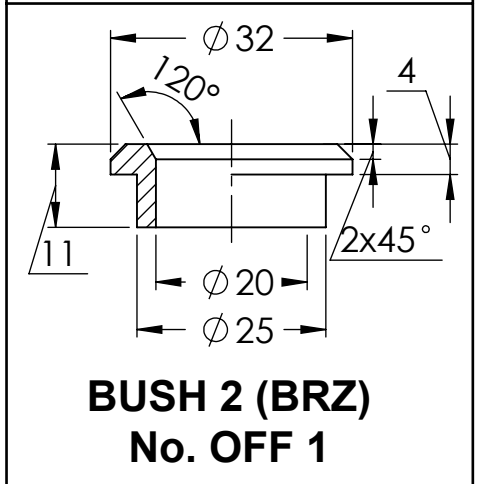


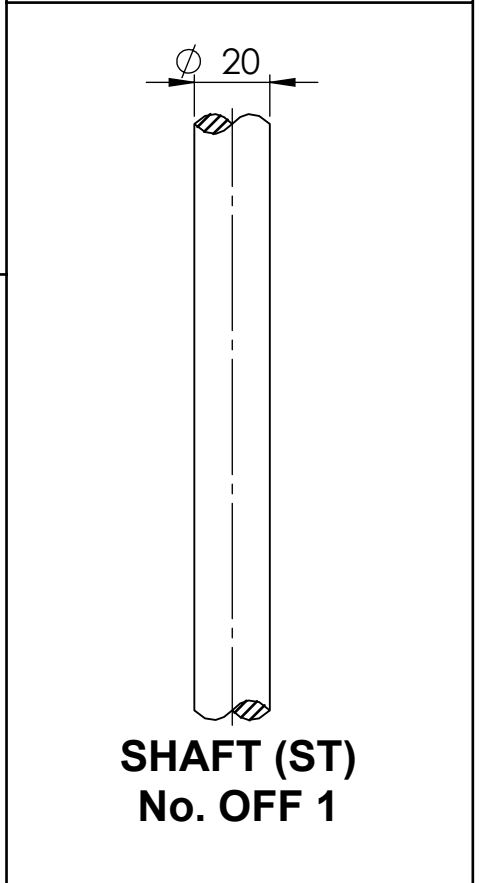
BODY (BRZ) No. OFF 1



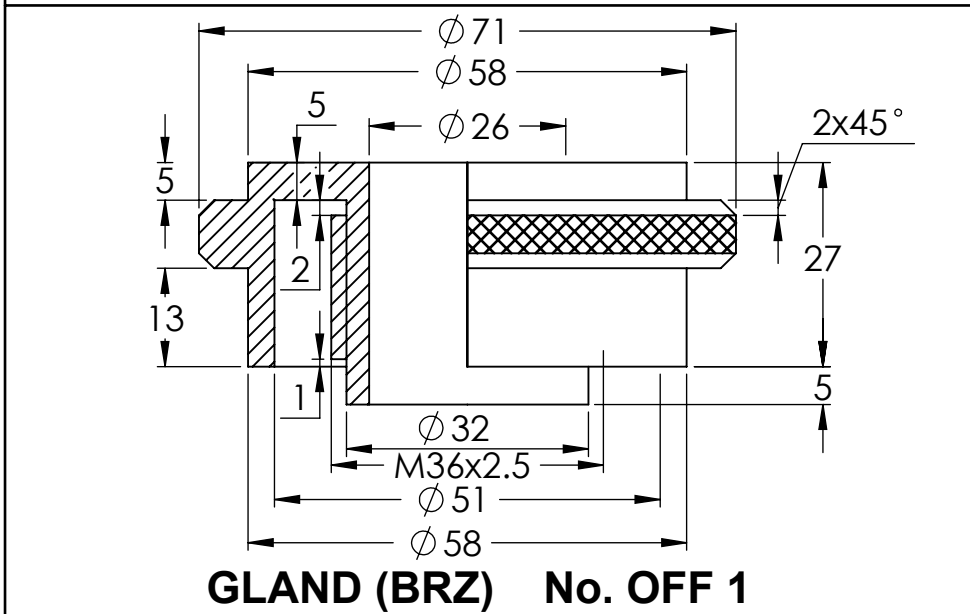
**BUSH 1 (BRZ)
No. OFF 1**



**BUSH 2 (BRZ)
No. OFF 1**



**SHAFT (ST)
No. OFF 1**



GLAND (BRZ) No. OFF 1

You are given the details of a Stuffing Box. Assemble all parts and draw the following:
a. H. SEC. ELEV. b. H. SEC. SIDE VIEW c. PLAN
Dimensions are in mm and all unspecified radius are 2 mm.