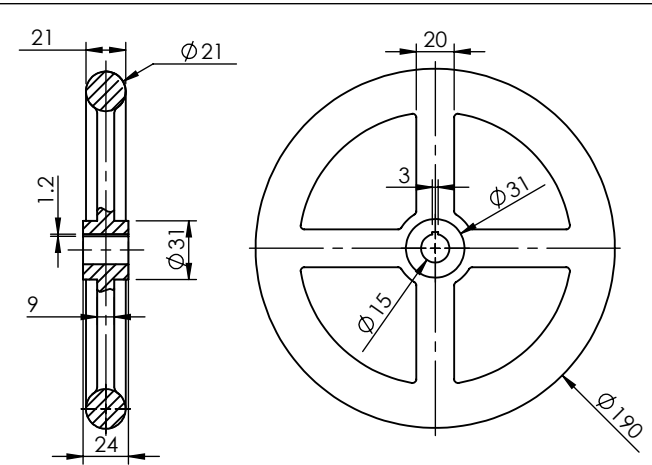
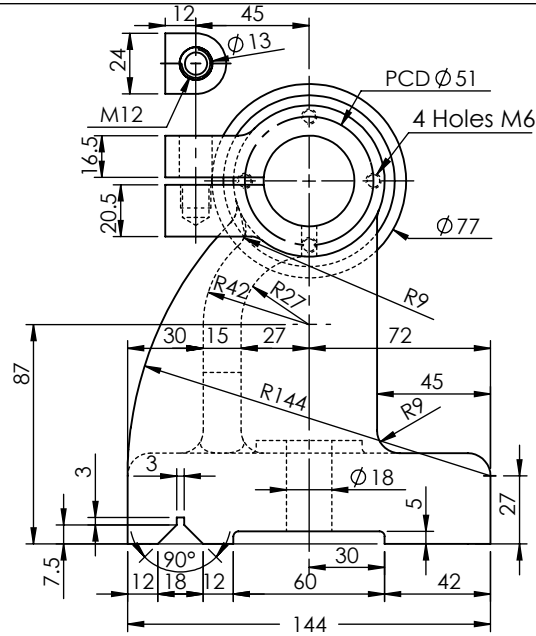
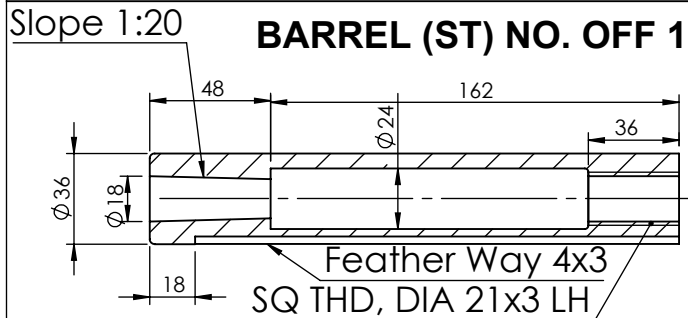


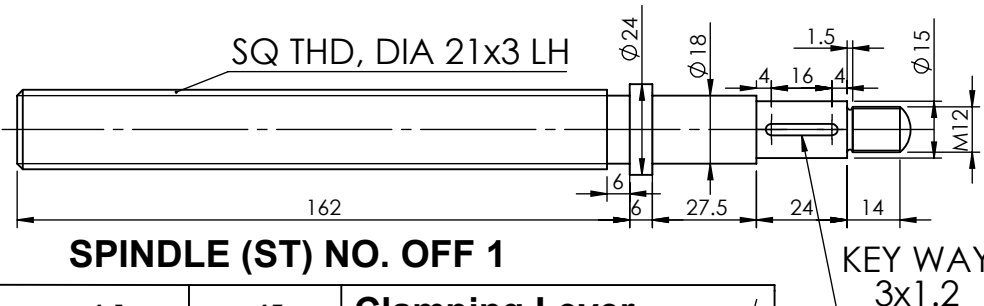
BODY (CI) NO. OFF 1



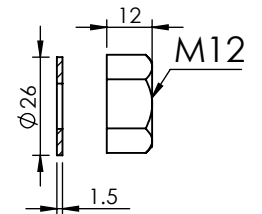
HAND WHEEL (CI) NO. OFF 1



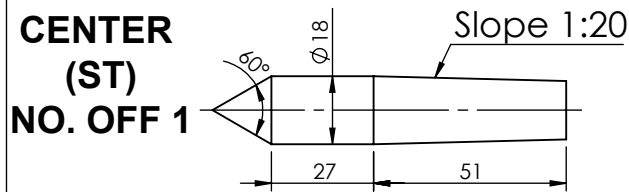
BARREL (ST) NO. OFF 1



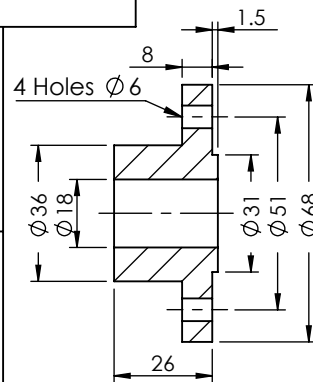
SPINDLE (ST) NO. OFF 1



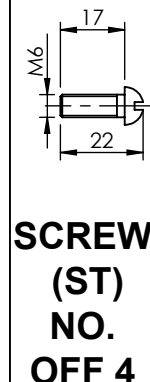
Washer & NUT



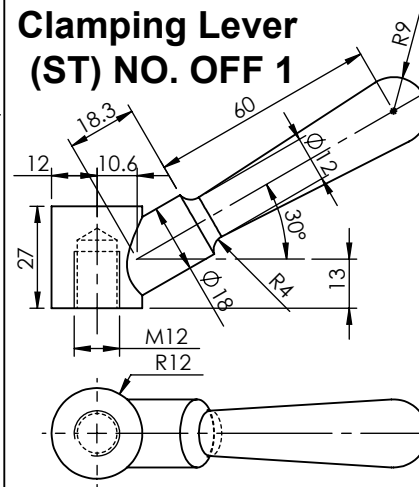
CENTER (ST) NO. OFF 1



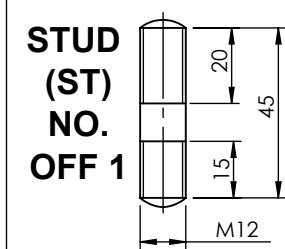
Spindle Bearing (CI) NO. OFF 1



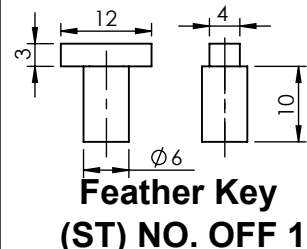
SCREW (ST) NO. OFF 4



Clamping Lever (ST) NO. OFF 1



STUD (ST) NO. OFF 1



Feather Key (ST) NO. OFF 1

You are given the details of a Tail Stoke. Assemble all parts. All unspecified radii are R2